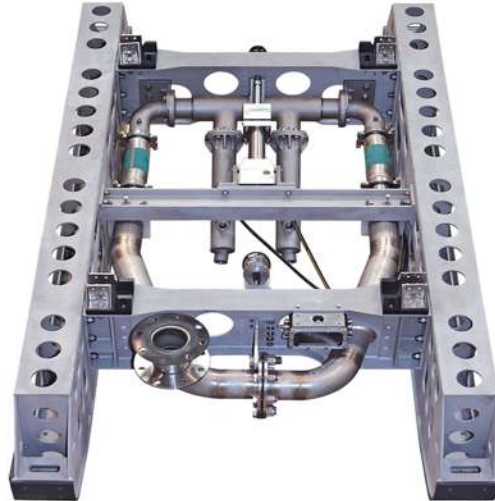


ROV Water jetting tool - RWJT

Effective submarine cable burial tool



The **ACSM ROV Jetting Tool** is a simple but reliable and effective submarine cable burial tool for Post Lay Burial (PLB) operations. By means of the pressurized water from the ROV jetting pump the water flow is jetted into the seabed by a pair of legs with nozzles digging an open trench where the cable lays down in cohesive and non-cohesive soils: seabed sediments of silt and clay, fine and coarse sands and gravel, among others.

Due to the tool's leg extension (0.3-0.4 m below the ROV skids) and the jetting shape, the trench reaches depths of more than 1.0 m and up to 1.5 m in non cohesive soils after some runs over the cable. The system has a 1.0 m extra bolted leg extension which allows the tool to reach up to 1.8 m trenches.

The **RWJT** has a simple design based on previous well proven two legs jetting tools, easy for operation and maintenance, but with a reliable and proven performance for cable burial, specifically for cable repairs where the burial of the closed loops requires a quick response of the jetting tool Up/Down function.

The system has one Up-Down hydraulic function and can be upgraded also for extra functions such as legs' Open-Close if required.

The Jetting Tool is capable of cable splice Joint Box (JB) and Repeater burial by water jetting both JB sides in different runs, reaching near the same trenching depths as for the communication cable.

SPECIFICATIONS SUBJECT TO CHANGE WITHOUT NOTICE

SYSTEM SPECIFICATIONS

GENERAL

- Two legs of 0.5 m length (0.3 - 0.4 m below the ROV skids), flanged to a rotating main water manifold. Extension legs of 1.0 m as an option
- One Up/Down hydraulic function (1F): Horizontal (0°) to Vertical (80°) position
- Four jetting nozzles per leg, for a total of eight nozzles: two forward cutting, one vertical cutting, and one rear back flow in each jetting leg. Variable nozzle sizes, 15 - 20 - 25 - 30 mm
- Dimensions: L 1000 mm x W 500 mm, depending on the ROV skid frame dimensions - Weight: 130 kg
- ROV water pump pressure / flow: 5 to 10 bar / 1000 to 4000 LPM
- Working Depth up to 2000 m SWD
- Options: tool position indicator, hydraulic pressure sensor for soil resistance indication. Second Open/Close hydraulic function (2F)

Cable burial depth performance of this tool with a 1.0 m legs, with 10 bar water jet pressure and three (x3) jetting runs:

NON COHESIVE SOFT SOILS

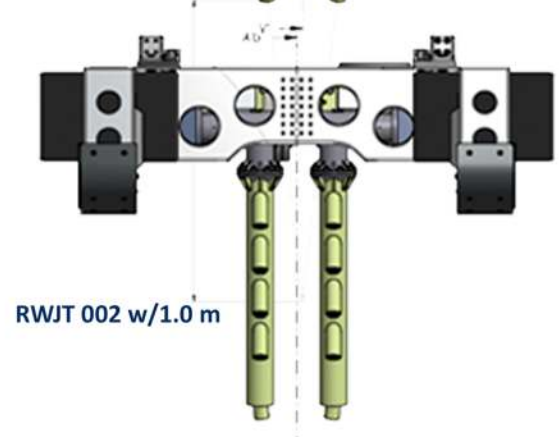
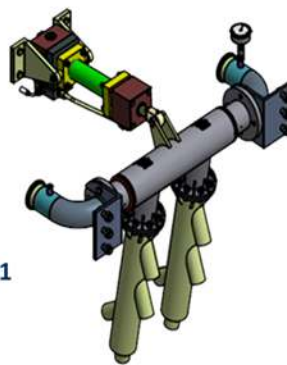
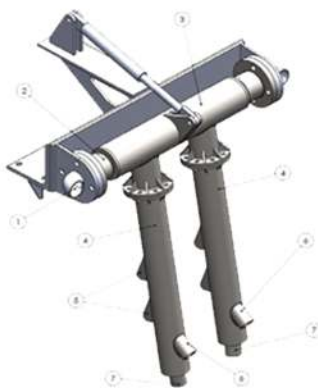
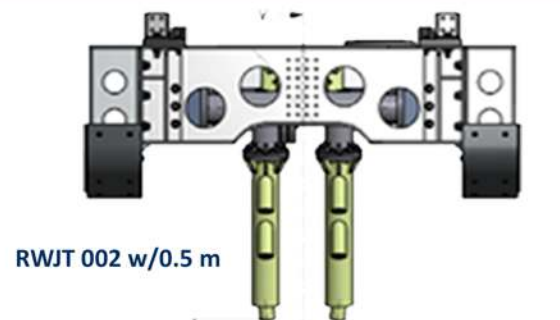
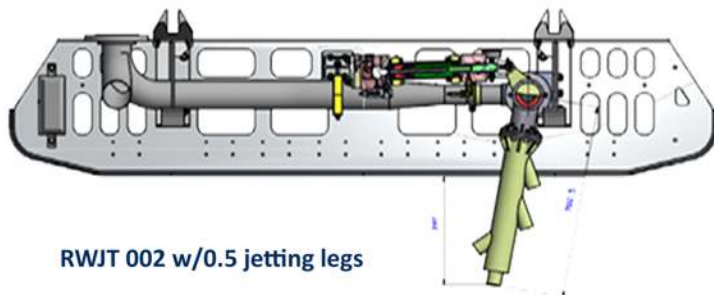
(Up to 40kPa)

- 1st Run: 80 to 90 cm
- 2nd Run: 110 to 120 cm
- 3rd Run: 140 to 150 cm

COHESIVE FIRM SOILS

(40 to 5kPa)

- 1st Run: 30 to 50 cm
- 2nd Run: 40 to 60 cm
- 3rd Run: 50 to 70 cm



SPECIFICATIONS SUBJECT TO CHANGE WITHOUT NOTICE