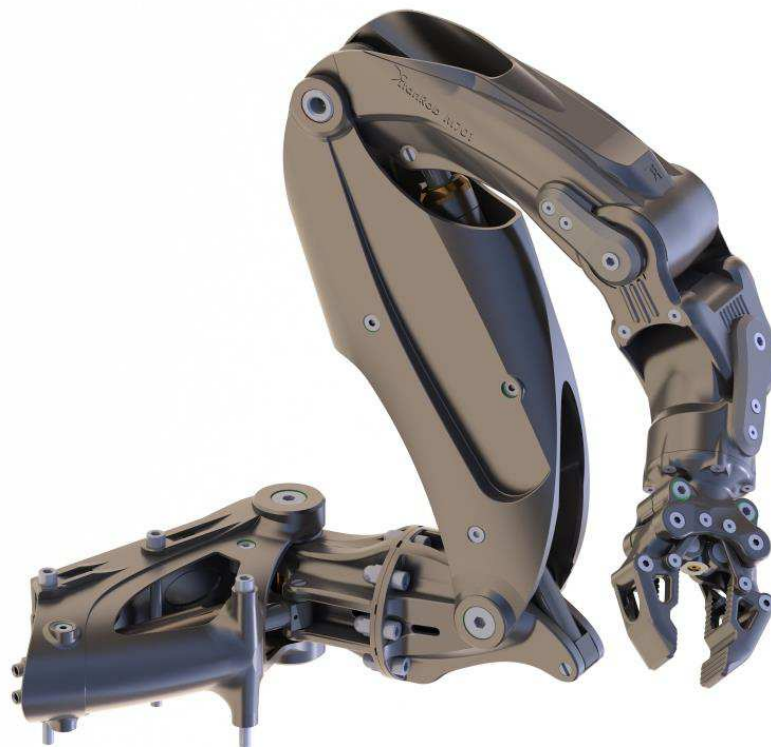
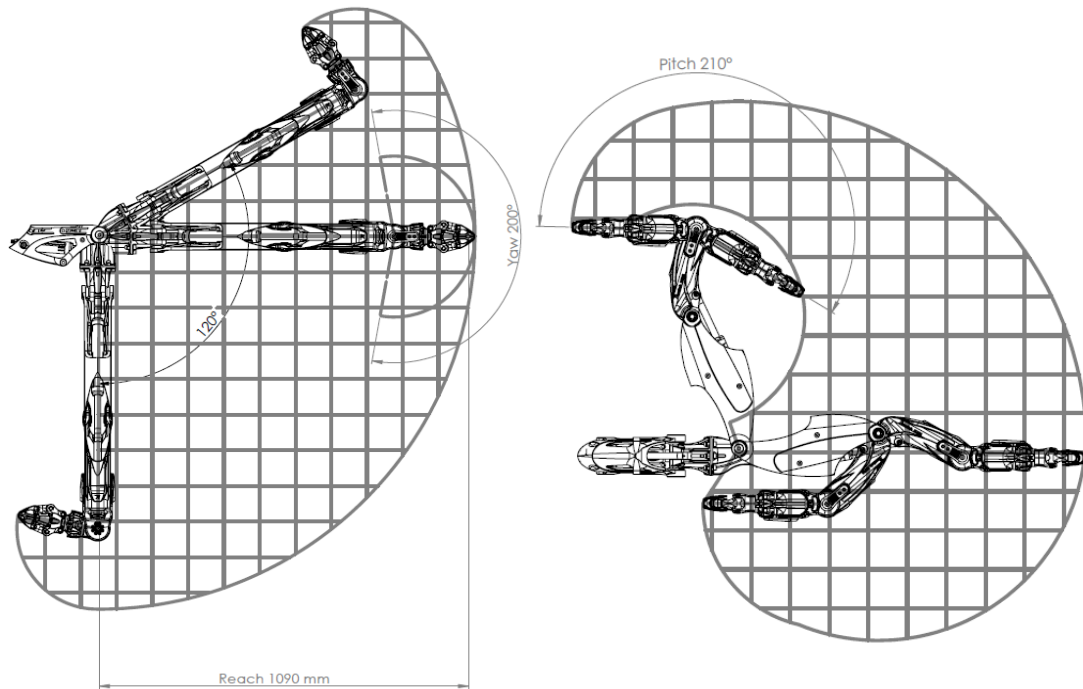




M700 TITANIUM MANIPULATOR SPECIFICATIONS

M700 (R) 7 FUNCTION LIGHT WORK CLASS TITANIUM MANIPULATOR

The M700 is a seven function hydraulic manipulator made of titanium and developed for Observation and Light Work Class ROVs. Resistant, lightweight and reliable, it's designed for heavy duty ROV works improving performance and operation. It could be rate operated by any low power (1kW) hydraulic power unit and a solenoids (x7) valve pack fitted in the ROV vehicle.



M700 7 FUNCTION TITANIUM MANIPULATOR ARM SPECIFICATIONS:**GENERAL SPECIFICATIONS**

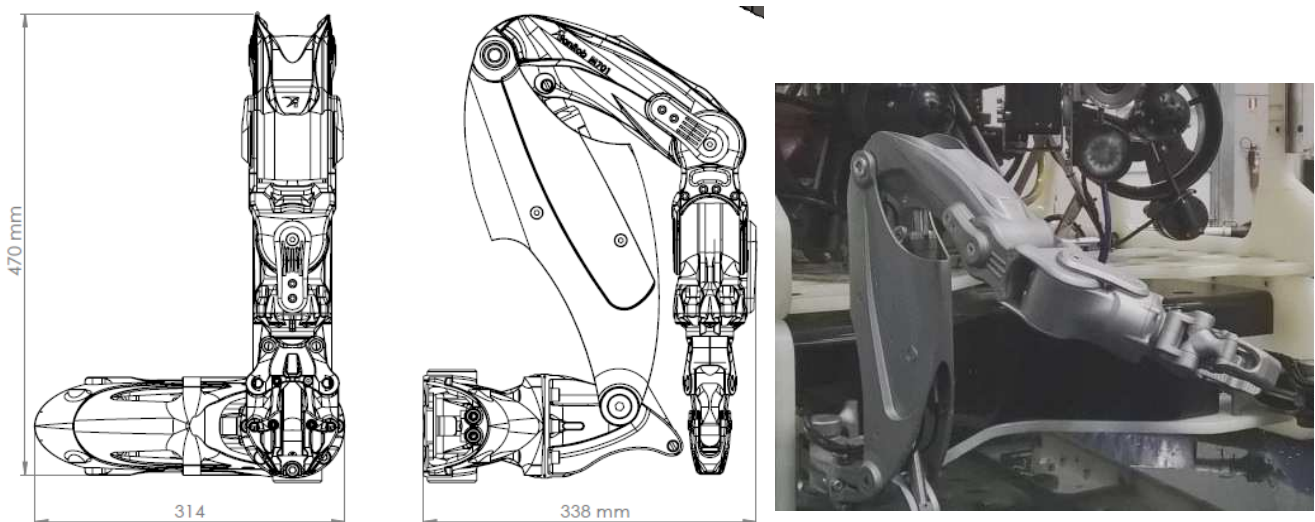
Depth rating (m)	3000
Weight in air (kg)	30
Weight in water (kg) w/ hyd. oil and hoses	20
Maximum reach (mm)	1050
Lift at full extension (kg)	40 @ 140 bar
Maximum lift (kg)	50 @ 140 bar
Yaw Grip (kgf)	80
Yaw Torque (Nm)	45
Dimensions stowed LxWxH (mm)	290 x 335 x 600
Operating temperature (C)	-5 / +55
Construction Main Materials	Ti6Al4V Titanium AISI 316 SS

FUNCTIONS

SHOULDER Azimuth (Yaw) (deg)	120 (+90 / -30)
SHOULDER Pitch (deg)	120 (+105 / -15)
ELBOW Pitch (deg)	135
WRIST Pitch (deg)	180
WRIST Yaw (deg)	180
JAW Rotate (deg)	360 continuous
JAW Opening (mm)	100 parallel

HYDRAULIC REQUERIMENTS

Standard Hydraulic Oil	ISO 32
Operating pressure (bar)	Up to 140
Operating Flow Rate (lpm)	Min 1.5
Test Pressure (bar)	200
Max. Oil Temp. (C)	55



www.acsmships.com

info@titanrob.com